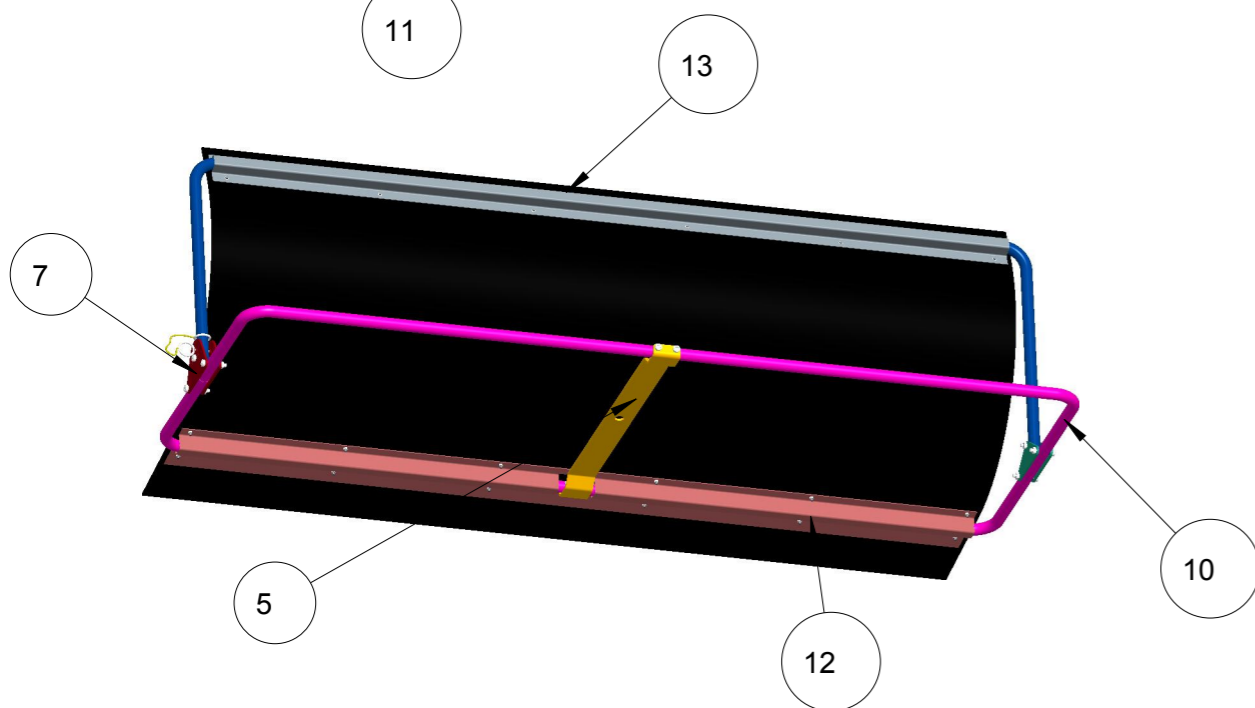
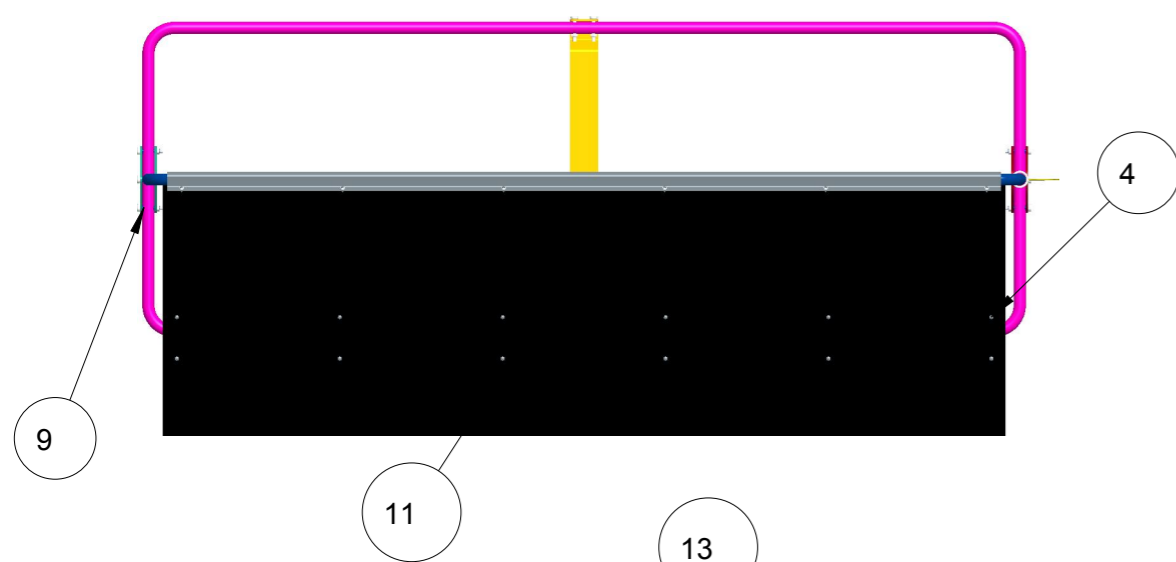
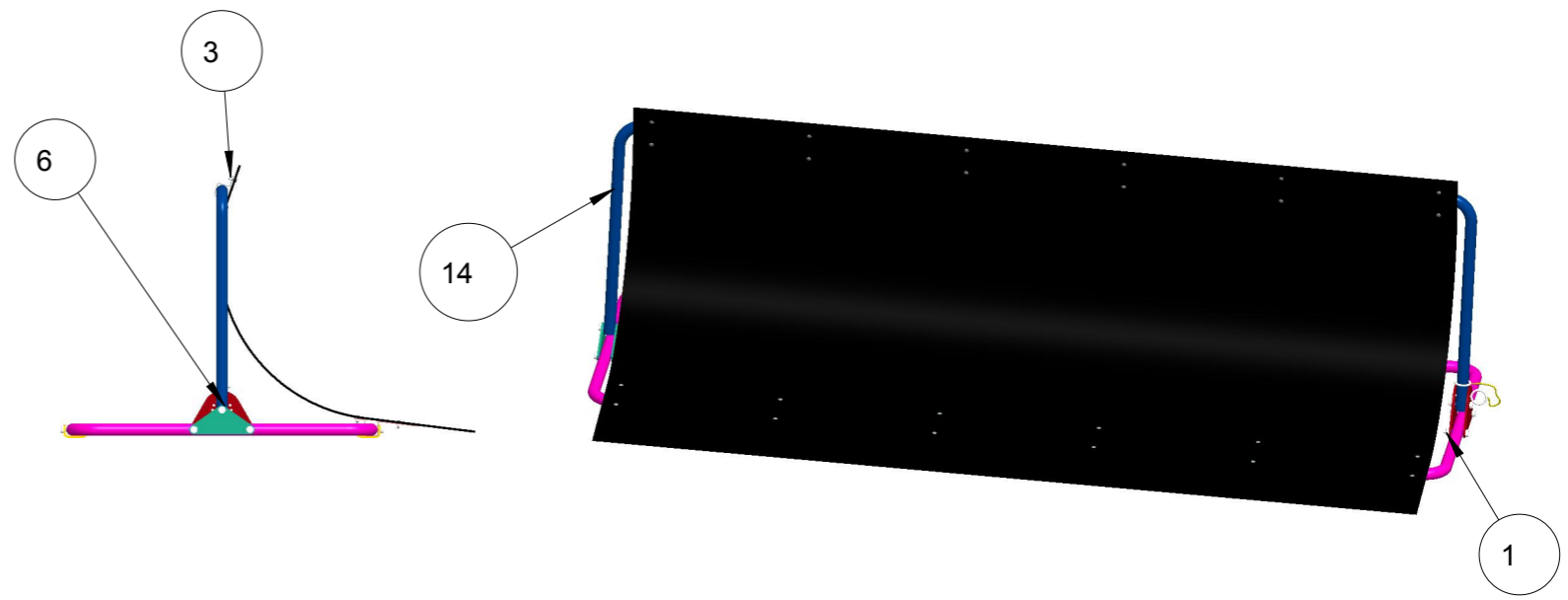


004		
003		
002		
001		
000	Initial Drawing	00/00/00
Rev.	Description	Date

		SmallWall Products					
		Description:					
		SmallWall Senior					
Date:	May-26-18	Drawn by:	Design Eng 1	Sheet:	1 of 2	Part Number:	SMALLWALL_SENIOR
Scale:	Not To Scale	Approved by:	SmallWall Design Dept.	Drw. Rev.:	000	Drawing Number:	SMALLWALL_SENIOR
<small>This document and its informational content are strictly confidential and are the sole property of ProtoProducts Co. Ltd. and may not be copied or reproduced in any form, without prior written consent of ProtoProducts Co. Ltd.</small>							





ITEM NO	PART NUMBER	QTY	DESCRIPTION
1	M10-LN	10	M10 Lock Nut
2	M10X55-THB	10	M10 x 55 Tamper Head Bolt
3	M6-LN	24	M6 Lock Nut
4	M6X20_CHB	24	M6 x 20 Cuphead bolt
5	SW-AB	1	Smallwall Anchor Bracket
6	SW-GFB	2	SmallWall Ground Frame Bracket
7	SW-HB	2	SmallWall Hinge Bracket
8	SW-P	1	SmallWall Pin
9	SW_B	6	SmallWall Bushing
10	SWS-GF	1	SmallWall Senior Ground Frame
11	SWS-S	1	SmallWall Senior Sheet
12	SWS-SBB	1	SmallWall Senior Bottom Bracket
13	SWS-STB	1	SmallWall Senior Top Bracket
14	SWS-VF	1	SmallWall Senior Vertical Frame

004		
003		
002		
001		
000	Initial Drawing	00/00/00
Rev.	Description	Date

		SmallWall Products Description:			
SmallWall Senior Partslist					
Date:	May-26-18	Drawn by:	Design Eng 1	Sheet:	2 of 2
Scale:	Not To Scale	Approved by:	SmallWall Design Dept.	Drw. Rev:	000
				Part Number:	SMALLWALL_SENIOR
				Drawing Number:	SMALLWALL_SENIOR
<small>This document and its informational content are strictly confidential and are the sole property of ProtoProducts Co. Ltd. and may not be copied or reproduced in any form, without prior written consent of ProtoProducts Co. Ltd.</small>					